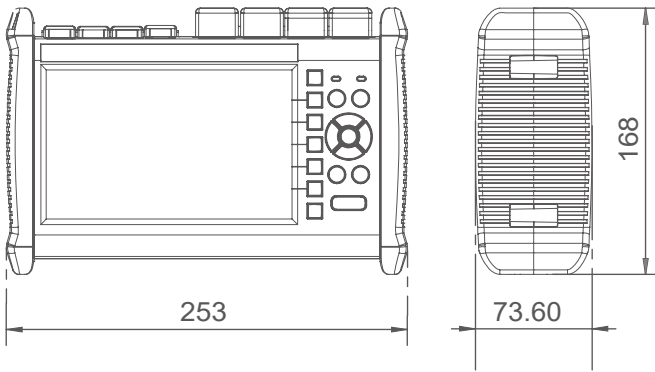




FH05000 Series OTDR

- Dynamic range from 26dB to 50dB, small deadzone 0.8m/3m
- Optimized PON test capability to pass through 1x128 splitter
- Excellent FLM(Fiber Link Map) testing performance
- Built-in OTDR trace and FLM testing PDF report
- Remote control on PC software is available
- Multi function Integrated design, smart and rugged
- Bluetooth and mobile APP is available on PRO version



Items		Specifications
Pulse Width	SM	3ns, 5ns, 10ns, 30ns, 50ns, 100ns, 275ns, 500ns, 1us, 2us, 5us, 10us, 20us
	MM	3ns, 5ns, 10ns, 20ns, 50ns, 100ns, 200ns, 500ns, 1us, 2us
Distance Range	SM	500m, 2km, 5km, 10km, 20km, 33km, 40km, 80km, 120km, 160km, 265km
	MM	500m, 2km, 5km, 10km, 20km, 40km
Sampling Resolution		Minimum 5cm
Sampling Points		Maximum 256,000 points
Linearity		≤0.05dB/dB
Loss Threshold		0.01dB
Loss Resolution		0.001dB
Distance Resolution		0.01m
IOR Setting		1.2000~1.7000, 0.0001 step
Distance Accuracy		±(0.75m+test distance×3×10 ⁻⁵ +sampling resolution) (excluding IOR uncertainty)
Memory Capacity		16G TF card





Items	Specifications
Visual Fault Locator Module	
Wavelength	650nm(±20nm)
Power	10mw, CLASSIII B Laser
Launching Mode	CW/2Hz
Connector	Universal 2.5mm
Optical Power Meter Module	
Wavelength Range	800~1700m
Calibrated Wavelength	850/1300/1310/1490/1550/1625/1650nm
Test Range	TypeA:-65~+5dBm(standard); Type B: -40~+23dBm(optional)
Accuracy	±0.35dB
Resolution	0.01dB
Optical Laser Source Module	
Working Wavelength	Consistent with OTDR
Output Power	≥-8dBm
Output Accuracy	±0.5dB
Output Mode	CW/270Hz/1kHz/2kHz
Others	
Interface	1*RJ-45, 3*USB (Type A×2, Type B×1)
Display	7-inch touch screen TFT-LCD
Available Lanaguage	English, traditional Chinese, French, Korean, Russian, Spanish, Portuguese, Turkish, Italian, German, Thai, Hungarian, Czech, Vietnamese, Polish
Battery	7.4V/5.2Ah lithium battery (with air traffic certification)
Temperature	Working Temp: -10°C~+50°C; Storage Temp: -20°C~+70°C
Humidity	≤95% (No-condensation)
Dimension	253×168×73.5mm
Weight	1.5kg (with battery)
Accessories	Main unit, Power adapter, Charge cord, Lithium battery, FC adapter, USB cable, Quick guide, Test report, Carrying bag, Wrist strap
Optional	SC/LC adapter, Fiber microscope, Launch cable box

Model	Wavelength	Dynamic Range	Dead-zone
FHO5000-D26	1310/1550nm±20nm	26/24dB	1/4m
FHO5000-D35		35/33dB	1/4m
FHO5000-D40		40/38dB	0.8/3m
FHO5000-D43		43/41dB	0.8/3m
FHO5000-D45		45/43dB	0.8/3m
FHO5000-D50		50/48dB	0.8/3m
FHO5000-TP35		1310/1490/1550nm±20nm	35/33/33dB
FHO5000-T26F	1310/1550/1625nm±20nm	26/24/24dB	1/4m
FHO5000-T35F		35/33/33dB	1/4m
FHO5000-T40F		40/38/38dB	0.8/3m
FHO5000-T43F		43/41/41dB	0.8/3m
FHO5000-T45F		45/43/43dB	0.8/3m
FHO5000-T50F		50/48/48dB	0.8/3m
FHO5000-TC35F		1310/1550/1650nm±20nm	35/33/33dB
FHO5000-M21	850/1300nm±20nm	19/21dB	1/4m
FHO5000-MD21	850/1300nm±20nm	19/21dB	1/4m
	1310/1550nm±20nm	35/33dB	1/4m
FHO5000-MD22	850/1300nm±20nm	19/21dB	1/4m
	1310/1550nm±20nm	40/38dB	0.8/3m

Notes

- 1: Please consult us for more customized models
- 2: Model T26F/T35F/T40F/T43F/T45F/T50F/TC35F are integrated built-in filter
- 3: Dynamic range is measured with maximum pulse width, averaging time is 3 minutes, SNR=1;
- 4: Event dead zone is measured with pulse width of 3ns and return loss ≥-45dB. Dynamic range>5dB
Attenuation dead zone is measured with pulse width of 3ns and return loss ≥-55dB. Dynamic range>5dB



Let's go in the grandway!